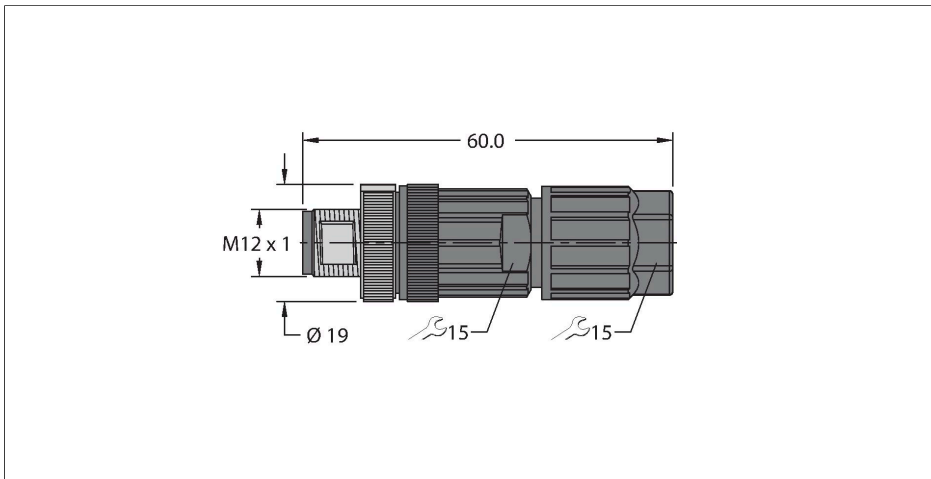


FW-ERSPM0426-SA-P-0408

Field-Wireable Connector

Male Connector M12 × 1, Straight

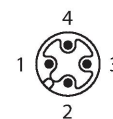


Features



- Push-in connection
- A-coding
- 4-pin
- Flammability class acc. to UL 94 V0
- Cable feedthrough: 4.0...8.0 mm
- Terminal capacity:
 - 0.14...0.75 mm² (without cable end sleeve)
 - 0.08...0.5 mm² (with cable end sleeve)
- Approval: cULus
- RoHS compliant
- Protection class: IP65, IP67

Contact assignment



Technical data

Type	FW-ERSPM0426-SA-P-0408
ID	100002048
Connector A	Male, M12 × 1, Straight, A-coded
Number of Pins	4
Contacts	Bronze, CuSn, Gold-plated
Contact carriers	Plastic, PA 6.6, Black
Connector body	Plastic, PA 6.6, Black
Coupling nut/screw	Die-cast Zinc, GD-Zn, Nickel-plated
Seal	NBR
Tightening torque (range)	0.4 ... 0.4 Nm (observe max. torque of mating connector!)
External diameter of the cable	4...8 mm
Core cross-section/Clamping ability	0.14...0.75 mm ²
Connection mode	Push-in connection
Mechanical lifespan	> 100 Mating cycles
Protection class	IP65, IP67, (screwed together)
Electrical properties at +20 °C	
Rated voltage	250 V
Current	4 A
Insulation resistance	≥ 10 ⁸ Ω
Mechanical and chemical properties	
Ambient temperature range (stationary)	-40...+85 °C
Approvals	cULus

Technical data

Note

- We reserve the right to make technical modifications without prior notice.
