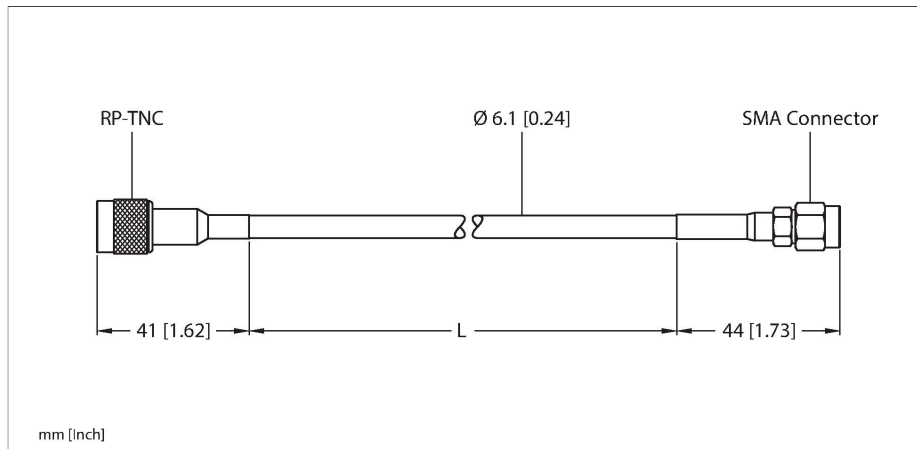


# TN-UHF-CBL-HF240-RPTNC-10-SMA

## Accessories – Coaxial Cable for Passive UHF Antennas



### Technical data

Type	TN-UHF-CBL-HF240-RPTNC-10-SMA
ID	100028196
Cable quality	10 m
Damping	2.5 dB
Packaging unit	1

### Features

- RP-TNC to SMA