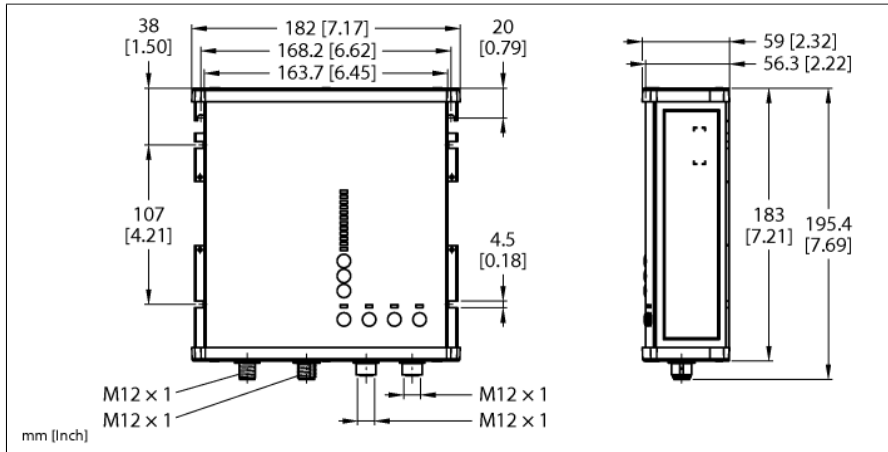


Smart Power Supply Module in IP67

24...28 VDC Output Voltage

1-Phase, 15-A Output Current, IO-Link Interface

PSU67-1P-1S-2L-24150-IOL-F

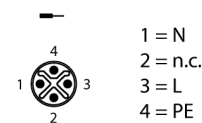


| | |
|----------------------------|-------------------------------|
| Type | PSU67-1P-1S-2L-24150-IOL-F |
| ID | 100028305 |
| Nominal voltage | Universal voltage supply unit |
| Operating voltage | 100...240 VAC |
| Frequency | 50...60 Hz |
| Operating voltage U_o | 100...300 VDC |
| Power dissipation, typical | ≤ 16.2 W |
| PFC | 0.95 |
| Efficiency | 95 % |
| External fuse | B-6A, C-6A |
| Internal fuse | 4 separate eFuses |

- Broad temperature range
- Status LED
- High efficiency, > 95 %
- 1-phase AC input, M12 S-coded
- Current-limited outputs, 2 × M12 L-coded
- Protected by 4 separate eFuses
- IO-Link interface for checking and parameterization
- LED interface and control buttons for maximum flexibility

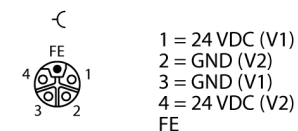
| | |
|------------------------|--|
| Nominal output voltage | 24 V |
| Nominal current | 15 A |
| Output power | 360 W (up to +45 °C) 300 W (up to +55 °C) 150 W (up to +70 °C) 600 W (+55 °C, up to max. 5 sec.) 300 W (+70 °C, up to max. 5 sec.) |

Input assignment M12 S-coded (XD1)

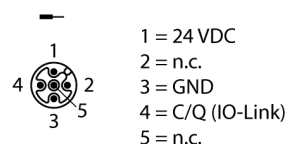


Output assignment M12 L-coded (OUT1&2

— XD2 | OUT 3&4 — XD3)



M12 IO-Link Assignment



| | |
|-------------------------|------------------|
| Parallel mode | no |
| Ripple | 50 mV |
| Short-circuit behaviour | Current limiting |

| | |
|----------|---------------------------------|
| Approval | CE cULus RoHS SEMI F47 |
|----------|---------------------------------|

| | |
|---------------------|-----------------------|
| Protection class | IP67 |
| Ambient temperature | -25...+70 °C |
| Storage temperature | -40...+85 °C |
| Dimensions | 183 x 180.6 x 58.7 mm |
| Weight | 1542 g |