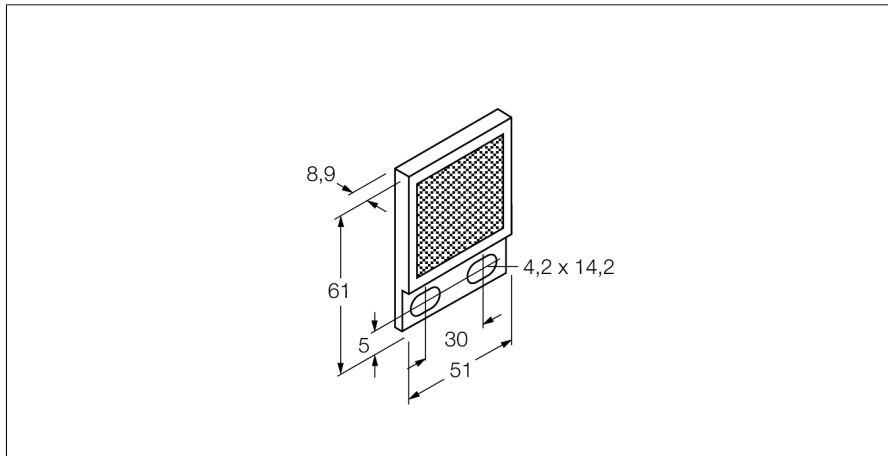


reflector
T-BRT-2X2



- Rectangular design
- reflective area 0.45
- Reflection coefficient 1
- (Reference BRT-3)

Functional principle

Retro-reflective sensors incorporate emitter and receiver in a single compact housing. The light beam of the emitter is directed towards a reflector which returns the light back to the receiver. An object is detected when it interrupts this beam. Retro-reflective sensors have a high function gain and good contrast performance. Further it is merely required to install and wire a single device.

Type code	T-BRT-2X2
Ident no.	7700368
Ambient temperature	-20...+50 °C
Dimensions	8.9 x 51 x 61 mm
Lens	plastic, acrylic