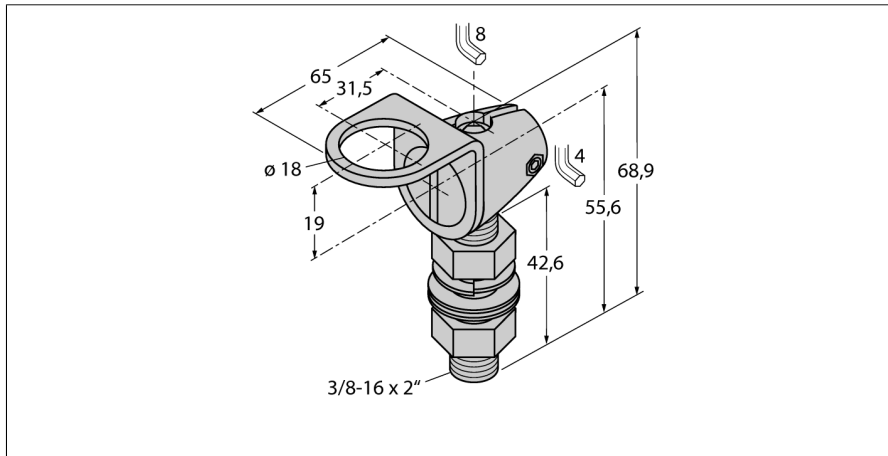


mounting accessories
mounting bracket
TMBM18FA

TURCK

Industrial
Automation



- Mounting bracket
- Stainless steel
- For 18 mm thread

Type code	TMBM18FA
Ident no.	7700395
Design	accessories for threaded barrels, SMB18FA
Dimensions	25.9 x 65 x 68.9 mm
Housing material	metal, V4A 1.4401 (AISI 316)