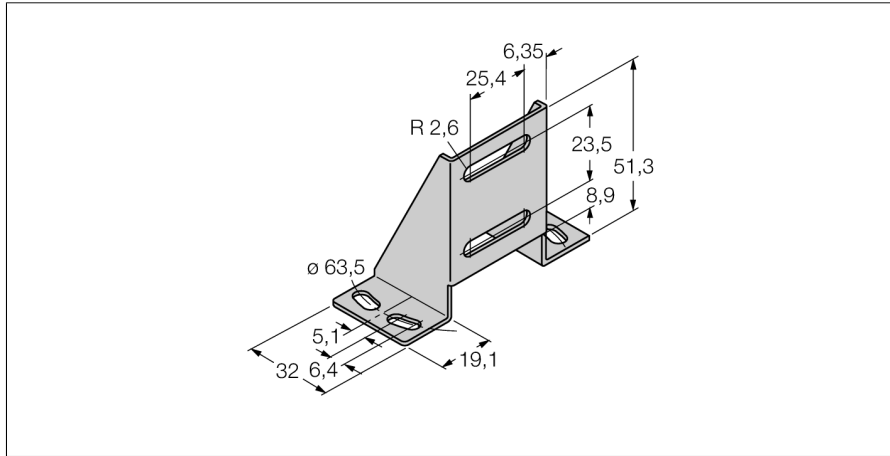


mounting accessories  
mounting bracket  
TMBQ32R

**TURCK**

Industrial  
Automation



- Foot
- Cold-rolled steel, black
- For Q32L67

Type code	TMBQ32R
Ident no.	7700416
Design	accessories for rectangular types, SMLXR
Dimensions	32 x 76.4 x 51.3 mm
Housing material	zinc, die-casting