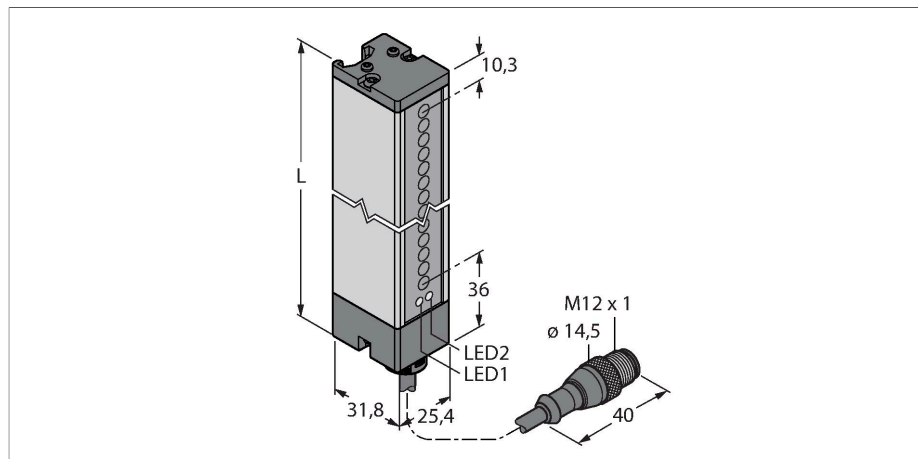


RO2M-Q32L67-ANP6X2-H1151-0.15

Photoelectric Sensor – Opposed Mode Sensor (Receiver)

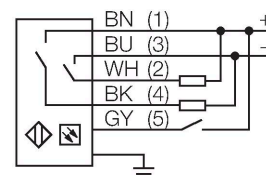
Receiver



Features

- Cable with male end, M12 x 1, 5-pin, 0.15 m
- Protection class IP65
- Scan field 67 mm
- Minimum target size 9.5 mm
- Operating voltage: 10...30 VDC
- Programmable connection for reduced sensing range

Wiring diagram



Technical data

Type	RO2M-Q32L67-ANP6X2-H1151-0.15
ID	7700467
Function	Light screen
Optical resolution	9.5 mm
Range	150...2000 mm
Scan field	67 mm
Operating voltage	10...30 VDC
Residual ripple	< 10 % U _{ss}
No-load current	≤ 100 mA
Short-circuit protection	yes
Reverse polarity protection	yes
Output function	NO contact, PNP/NPN
Current output	125 mA
Response time typical	< 0.8 ms
Design	Rectangular, LX
Dimensions	31.8 x 25.4 x 113.4 mm
Housing material	Metal, AL, Grey
Lens	plastic, Acryl
Electrical connection	Cable with connector, M12 x 1, 0.15 m, PVC
Number of cores	5
Core cross-section	0.5 mm ²
Ambient temperature	-20...+70 °C
Protection class	IP65
Power-on indication	LED, Green
Switching state	LED, Yellow

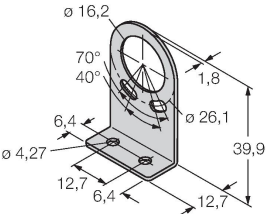
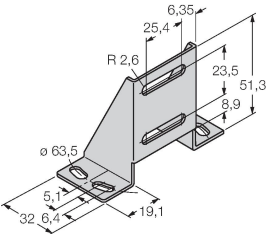
Functional principle

Light screens are especially suited to monitor large areas. They consist of an emitter and a receiver unit. Switching light screens are available with scanning heights of up to 599 mm.

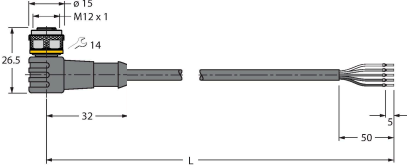

Technical data

Error indication	LED, red, flashing
MTTF	74 years acc. to SN 29500 (Ed. 99) 40 °C

Accessories

TMBQ32	7700415	TMBQ32R	7700416
 <p>Mounting bracket, stainless steel, for Q32L67</p>		 <p>Foot, for Q32L67</p>	

Accessories

Dimension drawing	Type	ID	
	WKC4.5T-2/TEL	6625028	Connection cable, female M12, angled, 5-pin, cable length: 2 m, sheath material: PVC, black; cULus approval; other cable lengths and qualities available, see www.turck.com
	RKC4.5T-2/TEL	6625016	Connection cable, female M12, straight, 5-pin, cable length: 2 m, sheath material: PVC, black; cULus approval; other cable lengths and qualities available, see www.turck.com