

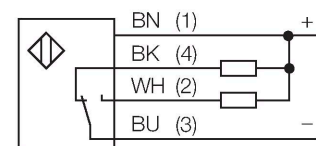
# XS75-BS18K-VN6X2-H1141

## Photoelectric Sensor – Diffuse Mode Sensor with Fixed-field Background Suppression

### Features

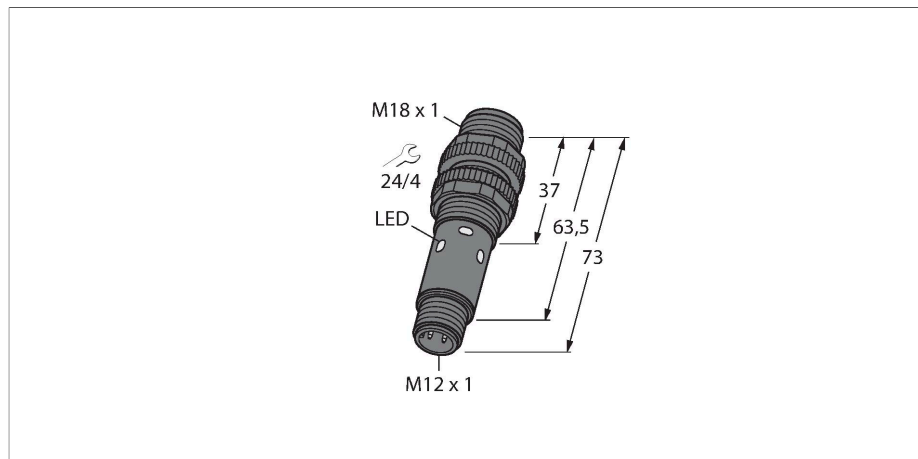
- M12 x 1 male, 5-pin
- Protection class IP67
- Ambient temperature: -40...+70° C
- Selectable light/dark operation or light operation with alarm function
- Operating voltage: 10...30 VDC
- NPN switching output, changeover

### Wiring diagram



### Functional principle

Retroreflective light barriers with background suppression operate with a single emitter and several receiver elements. The target's position and the optical structure of the sensor determine which receiver element gets the most light. The sensor electronics then determine whether the reflecting target is inside or outside the measuring range. These sensors come with a fixed cut-off point.



### Technical data

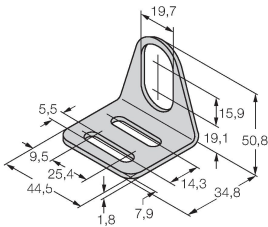
Type	XS75-BS18K-VN6X2-H1141
ID	7700859
Function	Diffuse mode sensor with fixed-field background suppression
Light type	Red
Wavelength	624 nm
Range	1...75 mm
Operating voltage	10...30 VDC
Residual ripple	< 10 % U <sub>ss</sub>
No-load current	≤ 16 mA
Short-circuit protection	yes / Cyclic
Reverse polarity protection	yes
Output function	Complementary contact, NPN
Readiness delay	≤ 100 ms
Response time typical	< 2.25 ms
Design	Cylinder, threaded, S18
Dimensions	Ø 18 x 73 mm
Housing material	Plastic, ABS
Electrical connection	Connector, M12 × 1
Number of cores	4
Ambient temperature	-40...+70 °C
Protection class	IP67
Power-on indication	LED, Green
Switching state	2 × LEDs, Yellow
Error indication	flashing
Alarm display	flashing

Accessories

MW-18

6945004

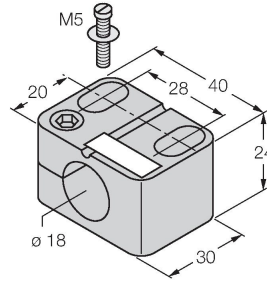
Mounting bracket for threaded barrel sensors; material: Stainless steel A2 1.4301 (AISI 304)



BST-18N

6947215

Mounting clamp for threaded barrel sensors, without dead-stop; material: PA6



Accessories

Dimension drawing	Type	ID	
	RKC4.5T-2/TEL	6625016	Connection cable, female M12, straight, 5-pin, cable length: 2 m, sheath material: PVC, black; cULus approval; other cable lengths and qualities available, see <a href="http://www.turck.com">www.turck.com</a>
	WKC4.5T-2/TEL	6625028	Connection cable, female M12, angled, 5-pin, cable length: 2 m, sheath material: PVC, black; cULus approval; other cable lengths and qualities available, see <a href="http://www.turck.com">www.turck.com</a>