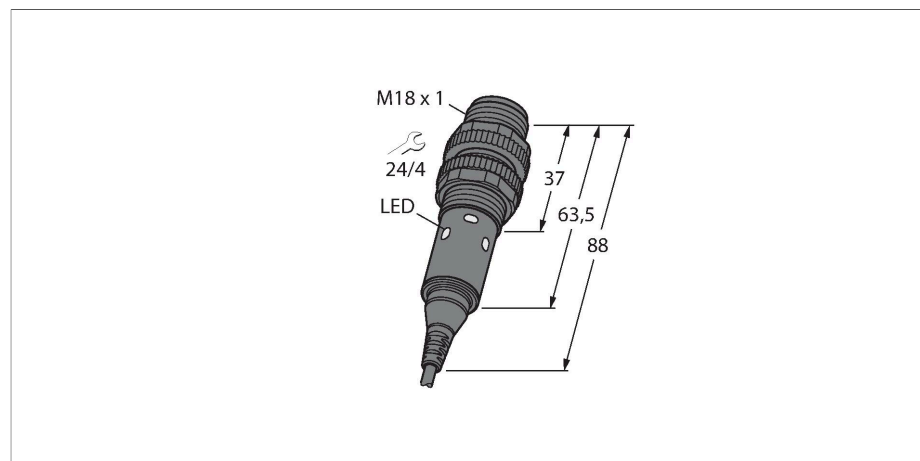


# XS50-BS18K-VP6X2

## Photoelectric Sensor – Diffuse Mode Sensor with Fixed-field Background Suppression



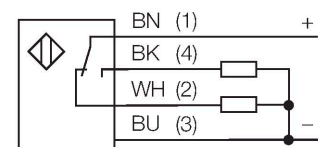
### Technical data

Type	XS50-BS18K-VP6X2
ID	7700870
Function	Diffuse mode sensor with fixed-field background suppression
Light type	Red
Wavelength	624 nm
Range	1...50 mm
Operating voltage	10...30 VDC
Residual ripple	< 10 % U <sub>ss</sub>
No-load current	≤ 16 mA
Short-circuit protection	yes / Cyclic
Reverse polarity protection	yes
Output function	Complementary contact, PNP
Readiness delay	≤ 100 ms
Response time typical	< 2.25 ms
Design	Cylinder, threaded, S18
Dimensions	Ø 18 x 88 mm
Housing material	Plastic, ABS
Electrical connection	Cable, 2 m, PVC
Number of cores	4
Core cross-section	0.5 mm <sup>2</sup>
Ambient temperature	-40...+70 °C
Protection class	IP67
Power-on indication	LED, Green
Switching state	2 × LEDs, Yellow
Error indication	flashing

### Features

- Cable, 2 m
- Protection class IP67
- Ambient temperature: -40...+70 °C
- Selectable light/dark operation or light operation with alarm function
- Operating voltage: 10...30 VDC
- PNP switching output, changeover

### Wiring diagram



### Functional principle

Retroreflective light barriers with background suppression operate with a single emitter and several receiver elements. The target's position and the optical structure of the sensor determine which receiver element gets the most light. The sensor electronics then determine whether the reflecting target is inside or outside the measuring range. These sensors come with a fixed cut-off point.

## Technical data

Alarm display

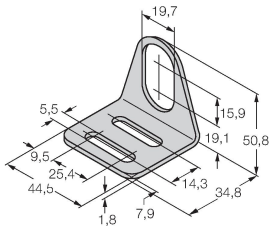
flashing

## Accessories

MW-18

6945004

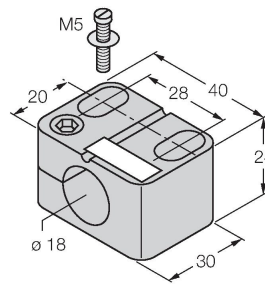
Mounting bracket for threaded barrel sensors; material: Stainless steel A2 1.4301 (AISI 304)



BST-18N

6947215

Mounting clamp for threaded barrel sensors, without dead-stop; material: PA6



## Accessories

Dimension drawing

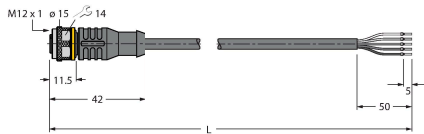
Type

ID

RKC4.5T-2/TEL

6625016

Connection cable, female M12, straight, 5-pin, cable length: 2 m, sheath material: PVC, black; cULus approval; other cable lengths and qualities available, see [www.turck.com](http://www.turck.com)



WKC4.5T-2/TEL

6625028

Connection cable, female M12, angled, 5-pin, cable length: 2 m, sheath material: PVC, black; cULus approval; other cable lengths and qualities available, see [www.turck.com](http://www.turck.com)

