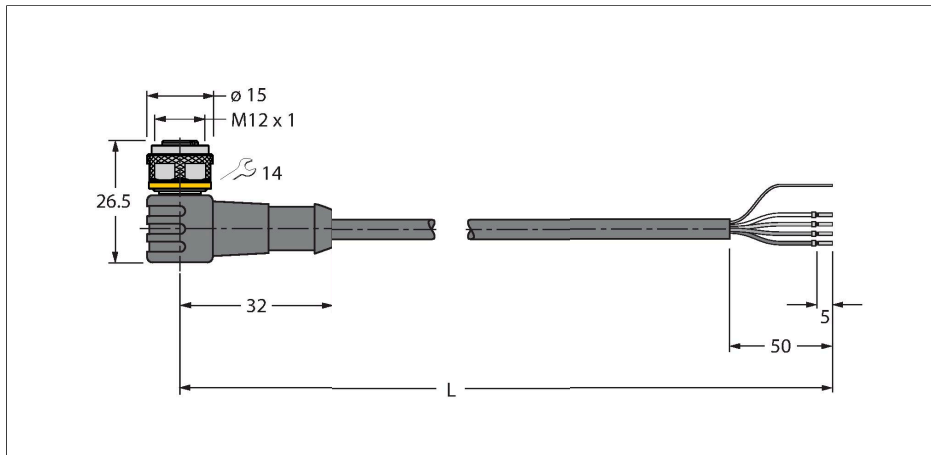


# WKC 572-10M

## Bus Cable for CAN (DeviceNet, CANopen) – PVC Cable Jacket, Thin



### Features

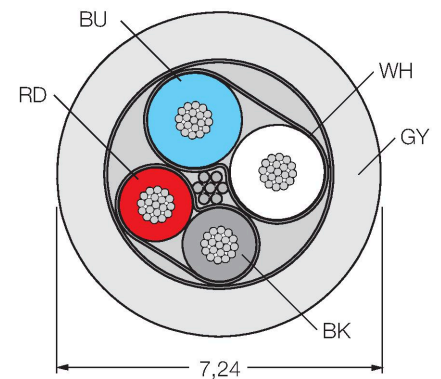


- Jacket material: PVC
- Power pair: AWG 2/22
- Data pair: AWG 2/22
- Jacket color: gray
- UL approval
- End open
- M12-female, angled, A-coded
- Cable length: 10 m

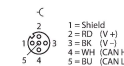
### Technical data

Type	WKC 572-10M
ID	U0422-110
Connector A	Female, M12 × 1, Angled, A-coded
Number of pins	5
Contacts	Metal, CuZn, Gold-plated
Contact carriers	Plastic, TPU, Blue
Connector body	Plastic, TPU, Blue
Coupling nut/screw	Brass, CuZn, Nickel-plated
Seal	Plastic, FPM/FKM
Tightening torque (range)	0.8 ... 1 Nm (observe max. torque of mating connector!)
Mechanical lifespan	> 100 Mating cycles
Pollution degree	3
Protection class	IP67, IP69K, Only in screwed condition
<b>Cable</b>	
Network protocol	DeviceNet CANopen, 572
Cable diameter	Ø 7.2 mm
Cable length	10 m
Cable jacket	PVC, Gray
Shielding	yes
Core insulation	PE (Data), PVC (Power)
Data cable cores	
Core cross-section	2 x 0.34 mm <sup>2</sup>
Arrangement of strands	19 x 0.15 mm
Power cable cores	

### Cable Cross-Section



### Contact assignment



## Technical data

Core cross-section	2x 0.34 mm <sup>2</sup>
Litz wire arrangement	19 x0.15 mm
Core colors	Power: RD, BK, Data: WH, BU
<b>Electrical properties at +20 °C</b>	
Rated voltage	250 V
Current	4 A
DC resistance (loop)	59.3 Ω/km
Nom. impedance	126 Ω (1 MHz)
Nom. capacitance	39 pF/m
<b>Mechanical and chemical properties</b>	
Bending radius (stationary installation)	≥ 5 x Ø
Bending radius (flexible use)	≥ 15 x Ø
Ambient temperature (fixed)	-40...+80 °C
Ambient temperature (mobile)	-30...+75 °C
<b>Other Features</b>	
Qualified for drag chain use	no
Halogen-free	no
LABS free	yes
UV resistance	yes
Approvals	UL CSA
<b>Note</b>	
- We reserve the right to make technical modifications without prior notice.	