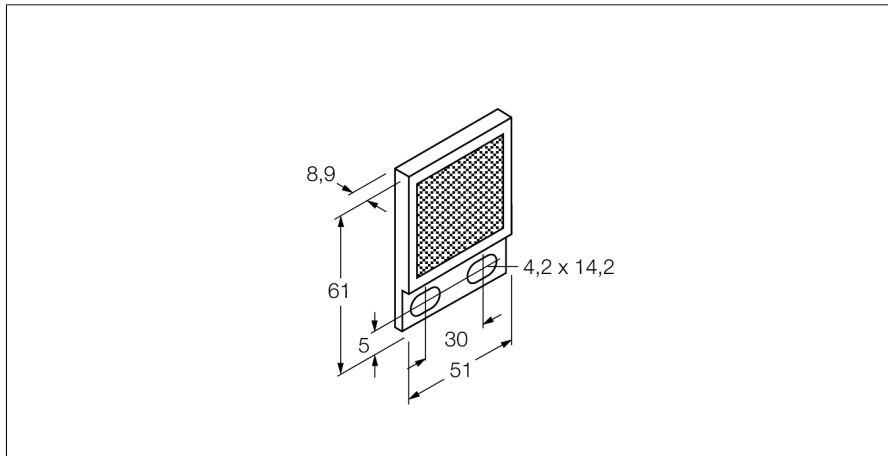


reflector
T-BRT-2X2

TURCK

Industrial
Automation



- Rectangular design
- reflective area 0.45
- Współ. refleksyjności 1
- (w stosunku do BRT-3)

Zasada działania

Retro-reflective sensors incorporate emitter and receiver in a single compact housing. The light beam of the emitter is directed towards a reflector which returns the light back to the receiver. An object is detected when it interrupts this beam. Retro-reflective sensors have a high function gain and good contrast performance. Further it is merely required to install and wire a single device.

Typ	T-BRT-2X2
Nr kat.	7700368
Temperatura pracy	-20...+50 °C
Wymiary	8.9x 51x 61 mm
Soczewka	tworzywo sztuczne, acrylic